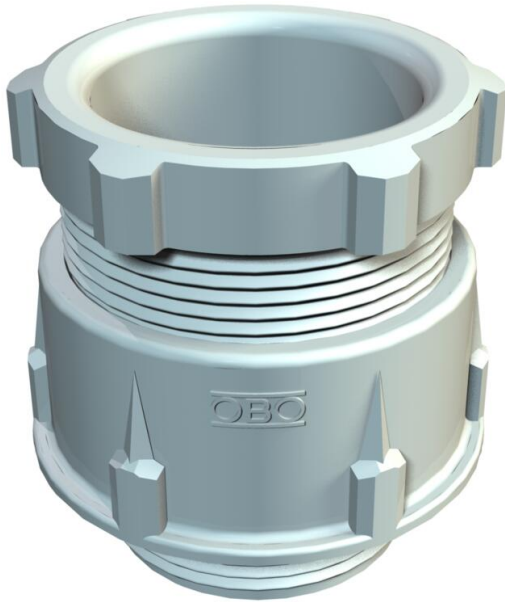


# Technical data sheet

## Cone cable gland, metric thread, light grey

Item number: 2035332



Standard cable gland, shape A, to DIN 46320 with simple NR/SBR sealing ring with metric connection thread to IEC 423.

Protection rating: with connection thread sealing ring IP65, without connection thread sealing ring IP54.

Note: Only tighten polystyrene cable glands lightly due to the risk of stress crack formation.  
Shock-resistant



PS Polystyrene

### Master data

|                     |                      |
|---------------------|----------------------|
| Item number         | 2035332              |
| Description 1       | Cable gland          |
| Manufacturer        | OBO                  |
| Dimension           | M20                  |
| Colour              | Light grey; RAL 7035 |
| Material            | Polystyrene          |
| Smallest sales unit | 50                   |
| Unit of quantity    | Piece                |
| Weight              | 0.753 kg             |
| Weight unit         | kg/100 pc.           |

# Technical data sheet

## Cone cable gland, metric thread, light grey



Item number: 2035332

### Dimensions



|                  |            |
|------------------|------------|
| Length           | 27 mm      |
| Width            | 27 mm      |
| Height           | 35 mm      |
| Dimension D1     | 13 mm      |
| Dimension D2     | 27 mm      |
| Dimension D3     | 13.4 mm    |
| Dimension D4     | 13.5 mm    |
| Dimension G      | M20x1,5 mm |
| Dimension L max. | 28 mm      |
| Dimension L1     | 9 mm       |
| Dimension L2     | 16 mm      |
| Dimension L3     | 5 mm       |
| Dimension L4     | 10.8 mm    |

### Technical data

|                          |              |
|--------------------------|--------------|
| Type of seal             | Sealing ring |
| Version for              | Straight     |
| Bend protection          | no           |
| Sealing area D, max.     | 13 mm        |
| Sealing area D, min.     | 9 mm         |
| explosion-proof          | no           |
| For Ex zone              | Without      |
| For Ex zone gas          | Without      |
| For Ex zone dust         | Without      |
| Thread                   | M20 x 1,5    |
| Thread type              | Metric       |
| Thread length            | 9 mm         |
| Nominal thread size      | 20           |
| Fibre-glass reinforced   | no           |
| Halogen-free             | yes          |
| Sealing insert, multiple | no           |
| With locknut             | no           |
| Impact-resistant         | yes          |
| WAF 1                    | 24 mm        |
| WAF 2                    | 21 mm        |
| Protection rating        | IP65         |
| Splittable gland         | no           |
| Strain relief option     | no           |