

Technical data sheet

Click-snap clip

Item number: 2148536



With moulded-on push-fit plug for rapid mounting in concrete walls and masonry. Push plug into hole until the clip makes contact with the surface. When the pipe is pressed into the clip, the arms of the clip grip it.



PA Polyamide

Master data

Item number	2148536
Type	1976 22-28
Description 1	Klick-Snap clip
Manufacturer	OBO
Dimension	22,5-28,5mm
Colour	Light grey; RAL 7035
Material	Polyamide
Smallest sales unit	100
Unit of quantity	Piece
Weight	0.781 kg
Weight unit	kg/100 pc.
CO Footprint (GWP) Cradle-to-Gate	0,0311 kg COe / 1 Piece

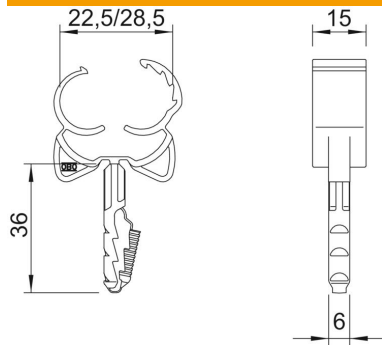
Technical data sheet

Click-snap clip

Item number: 2148536



Dimensions



Technical data

Version for	Closed
Fastening type	Plug fastening
Drill hole depth	40 mm
Drill hole diameter, min.	6 mm
Breaking load for concrete B25	500 N
Halogen-free	yes
Clamping range D, max.	28.5 mm
Clamping range D, min.	22.5 mm