

# Technical data sheet

## Clamp clip 2056, F foot, single, plastic pressure trough, FT

Item number: 1188204



Clamp clip with F-foot, plastic pressure trough made of polypropylene. For vertical and horizontal mounting of 3 single cables on flat bars. With 1-start screw thread on pressure trough, universal hexagonal screw head WAF10, with slot and cross recess. Suitable for mounting indoors and outdoors. Multiple cables should be separated by double troughs. We recommend the use of a counter-trough.



**St** Steel

**FT** Hot-dip galvanised

### Master data

|                     |                    |
|---------------------|--------------------|
| Item number         | 1188204            |
| Type                | BS-F3-K-16 FT      |
| Description 1       | Clamp clip 2056    |
| Description 2       | triple             |
| Manufacturer        | OBO                |
| Dimension           | 12-16mm            |
| Material            | Steel              |
| Surface             | Hot-dip galvanised |
| Surface standard    | DIN EN ISO 1461    |
| Smallest sales unit | 50                 |
| Unit of quantity    | Piece              |
| Weight              | 5.595 kg           |
| Weight unit         | kg/100 pc.         |

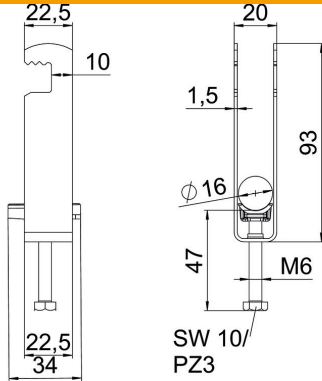
# Technical data sheet

Clamp clip 2056, F foot, single, plastic pressure trough, FT



Item number: 1188204

## Dimensions



|                  |         |
|------------------|---------|
| Length           | 22.5 mm |
| Width            | 20 mm   |
| Height           | 93 mm   |
| Plate thickness  | 1.5 mm  |
| Dimension A      | 22.5 mm |
| Dimension B      | 20 mm   |
| Dimension C      | 34 mm   |
| Dimension G (mm) | M6      |
| Dimension H      | 93 mm   |
| Dimension L      | 47 mm   |
| Dimension t      | 1.5 mm  |

## Technical data

|                               |                |
|-------------------------------|----------------|
| Number of cables/pipes        | 3              |
| For pipe diameter, max.       | 16 mm          |
| For pipe diameter, min.       | 12 mm          |
| Thread                        | M6             |
| Halogen-free                  | yes            |
| Length of external dimensions | 34 mm          |
| Max. Tightening torque        | 3 Nm           |
| With plastic trough           | yes            |
| Mounting type                 | Flat profile   |
| Slot width                    | 10 mm          |
| Clamping range D, max.        | 16 mm          |
| Clamping range D, min.        | 12 mm          |
| Surface addition              | hot galvanised |
| Material addition             | Steel          |