

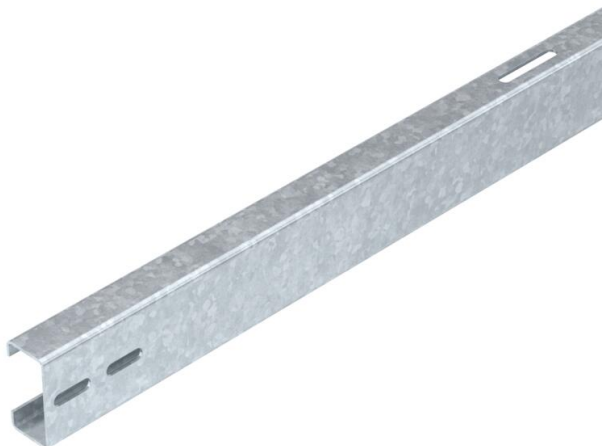
# Technical data sheet

## Support profile for PV module mounting, free-standing system

Item number: 5900512



Support profile to mount photovoltaic modules on free-standing systems. Mounting of support profile on pre-mounted supports with KV FT cross-connectors. Mounting of the PV modules on the support profile with end and/or connection clamps. Connection of multiple support profiles with LV FT straight connectors and KV FT cross-connectors, screw-on.



- St** Steel
- FT** Hot-dip galvanised

### Master data

|                     |                          |
|---------------------|--------------------------|
| Item number         | 5900512                  |
| Description 1       | Truss profile            |
| Description 2       | for free-standing system |
| Manufacturer        | OBO                      |
| Dimension           | 40x80x5980               |
| Colour              | zinc                     |
| Material            | Steel                    |
| Surface             | Hot-dip galvanised       |
| Surface standard    | DIN EN ISO 1461          |
| Smallest sales unit | 1                        |
| Unit of quantity    | Piece                    |
| Weight              | 2015 kg                  |
| Weight unit         | kg/100 pc.               |

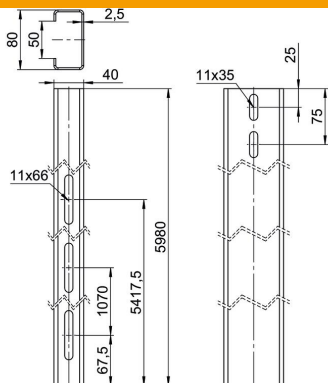
# Technical data sheet

Support profile for PV module mounting, free-standing system

Item number: 5900512



## Dimensions



|        |          |
|--------|----------|
| Length | 5,980 mm |
| Width  | 40 mm    |
| Height | 80 mm    |

## Technical data

|                        |                       |
|------------------------|-----------------------|
| Cable duct, integrated | no                    |
| Cable duct optional    | no                    |
| Section modulus Sx     | 10600 mm <sup>3</sup> |
| Section modulus Sy     | 5200 mm <sup>3</sup>  |
| Module width min.      | 1050 mm               |
| Module width max.      | 1060 mm               |