

Technical data sheet

Tilting anchor

Item number: 3482030



One washer and one hexagonal nut, with ceiling hook.
Note: Reckon with 5x safety for luminaire suspensions.

CE

St Steel

G Electrogalvanized

Master data

| | |
|---------------------|----------------------------|
| Item number | 3482030 |
| Type | 454 M6x100 G |
| Description 1 | Tilting anchors |
| Description 2 | with ceiling hook |
| Manufacturer | OBO |
| Dimension | M6x100mm |
| Material | Steel |
| Surface | Electrogalvanized |
| Surface standard | EN ISO 19598 / EN ISO 4042 |
| Smallest sales unit | 25 |
| Unit of quantity | Units |
| Weight | 6 kg |
| Weight unit | kg/100 pairs |

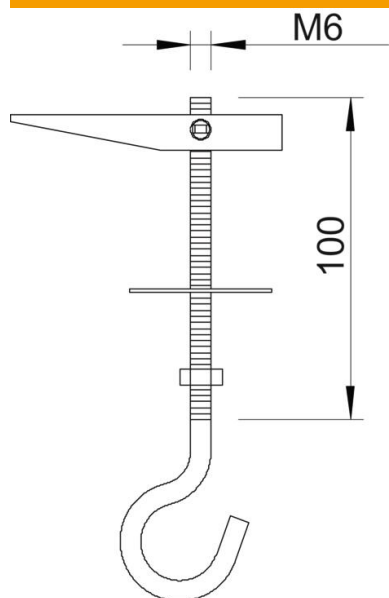
Technical data sheet

Tilting anchor

Item number: 3482030



Dimensions



| | |
|-------------|--------|
| Length | 100 mm |
| Dimension L | 100 mm |

Technical specifications

| | |
|------------------------------|-------------------|
| Version for | With ceiling hook |
| Drill hole | 16 mm |
| Drill hole diameter, min. | 16 mm |
| Breaking load | 0,7 kN |
| Thread | M6 |
| Thread type | Metric |
| hook diameter | 16 mm |
| With washer | yes |
| Protection ring for ceramics | no |